

BYT

Series DC Isolator Switches

Welcome to our website for more information
www.zjbeny.com



BYT Series DC Isolator Switches



ZBENY

Application

ZBENY BYT series DC Isolator Switches are applied to 1-20KW Inverter, Controller, DC Combiner Box, used for Residential or Commercial PV solar power system(on-grid/off-grid). Arcing time less than 3ms, that make PV solar system effectively disconnected.

BYT.1-32 DC Isolator Switches

- BYT.1 -32 Rated Voltage 1200V DC
- Single Hole Mounting Ø22mm
- Flame-Retardant
- Arcing Time < 3ms
- IEC60947-3
- 4 poles(Single|Double Strings Available)
- DC-21B: 16A,25A,32A up to 1200V DC



BYT.2-32 DC Isolator Switches

- DIN Rail Mounting
- BYT.2 -32 Rated Voltage 1200V DC
- OFF LOCKABLE
- Flame-Retardant
- Arcing Time < 3ms
- IEC60947-3
- 4Poles(Single|Double Strings Available)
- DC-21B: 16A,25A,32A up to 1200V DC



BYT.2-32 DC Isolator Switches

- DIN Rail Mounting Door Clutch
- BYT.2-32 Rated Voltage 1200V DC
- OFF LOCKABLE
- Flame-Retardant
- Arcing Time < 3ms
- IEC60947-3
- 4 poles(Single|Double Strings Available)
- DC-21B: 16A,25A,32A up to 1200V DC



BYT

PV DC Isolator Switches

Parameter

Electrical Characteristics		
Function	Isolator, Control	
Comply with	IEC60947-3	
Pole	4P	
Max Rated Current	32A	
Rated Working Voltage	Ue	1200V DC
Rated Current	In	16A/25A/32A
Rated Insulated Voltage	Ui	1200V DC
Rated Impulsed Voltage	Uimp	8KV
Service Life/Cycle Operation		
Mechanical	20000	
Electrical	2000	
Installation Environment		
Size of Terminal Screw	M4	
Tightening Torque	Nm	2.5
Maximum Cable Cross Sections	mm ²	4-16
Ingress Protection	IP40	
Storage Temperature	-5°C~+80°C	

Wiring Diagram

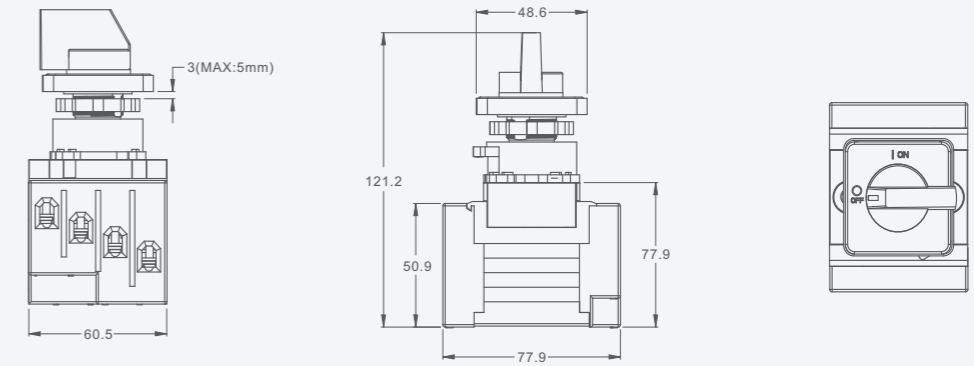
Contacts Configuration	500V	600V	800V	1000V	1200V	Poles in series	Number of Strings	Code	Weight kg/PCS
	16A	16A	16A	9A	7.5A	2	1	DR2	0.28
	25A	25A	20A	11A	9A	2	1	DR2	0.28
	32A	32A	23A	13A	13A	2	1	DR2	0.28
	29A	29A	16A	9A	7.5A	2	1	DR2H	0.28
	45A	45A	20A	11A	9A	2	1	DR2H	0.28
	50A	50A	23A	13A	13A	2	1	DR2H	0.28
	16A	16A	16A	9A	7.5A	2	2	DR4	0.28
	25A	25A	20A	11A	9A	2	2	DR4	0.28
	32A	32A	23A	13A	13A	2	2	DR4	0.28
	16A	16A	16A	16A	16A	4	1	DR4S	0.28
	25A	25A	25A	25A	25A	4	1	DR4S	0.28
	32A	32A	32A	32A	32A	4	1	DR4S	0.28
	16A	16A	16A	16A	16A	4	1	DR4B	0.28
	25A	25A	25A	25A	25A	4	1	DR4B	0.28
	32A	32A	32A	32A	32A	4	1	DR4B	0.28
	16A	16A	16A	16A	16A	4	1	DR4T	0.28
	25A	25A	25A	25A	25A	4	1	DR4T	0.28
	32A	32A	32A	32A	32A	4	1	DR4T	0.28

Switching Configurations

Type	2-pole	2-pole 4 Paralleled Poles	4-pole	4-pole with Input on top Output bottom	4-pole with Input and Output bottom	4-pole with Input and Output on top
BYT.1-16/BYT.2-16	2	2H	4	4S	4B	4T
BYT.1-25/BYT.2-25	2	2H	4	4S	4B	4T
BYT.1-32/BYT.2-32	2	2H	4	4S	4B	4T
Contacts Wiring graph						
Switching example						

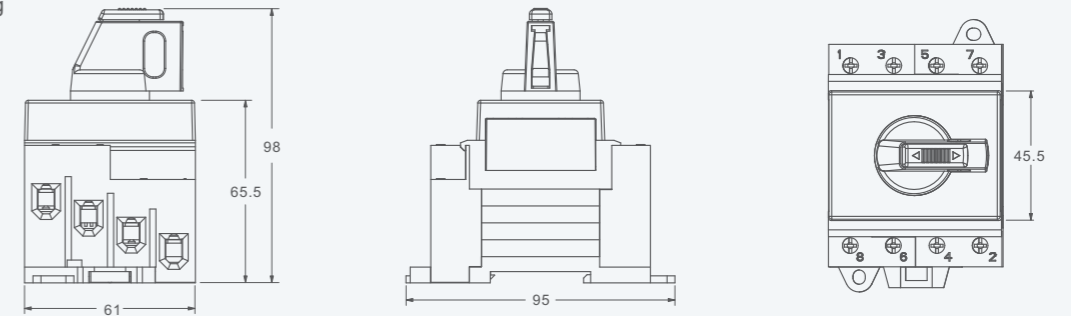
Dimensions(mm)

BYT.1



BYT.2-32

DIN Rail Mounting



BYT.2-32

DIN Rail Mounting Door Clutch

